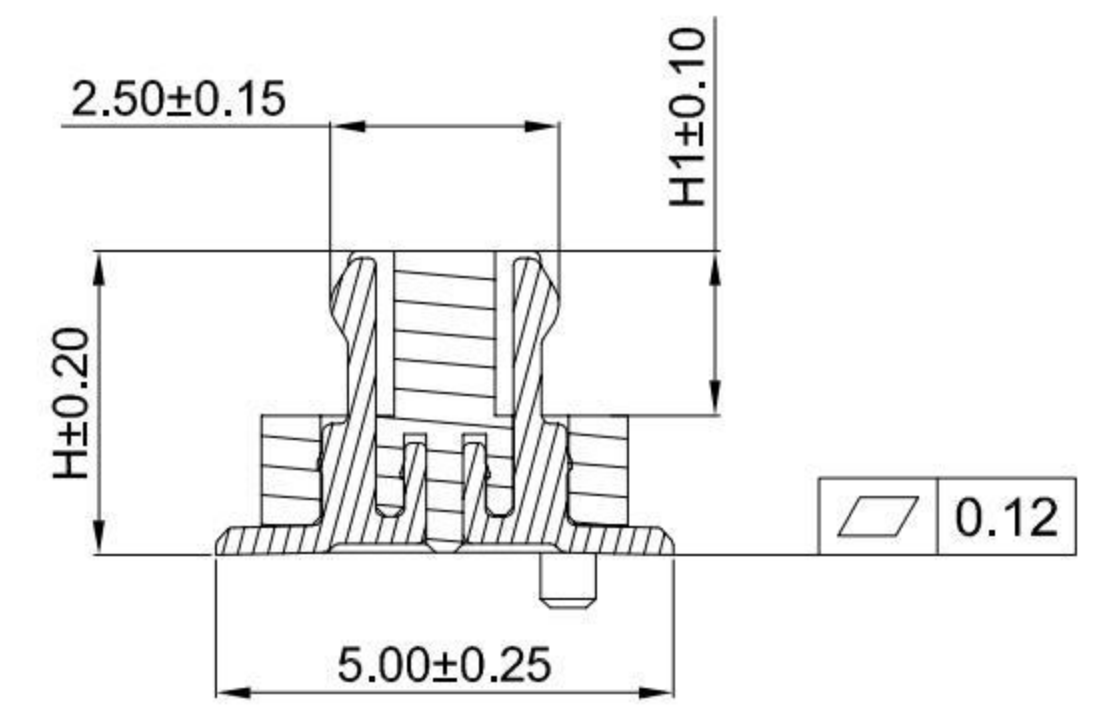
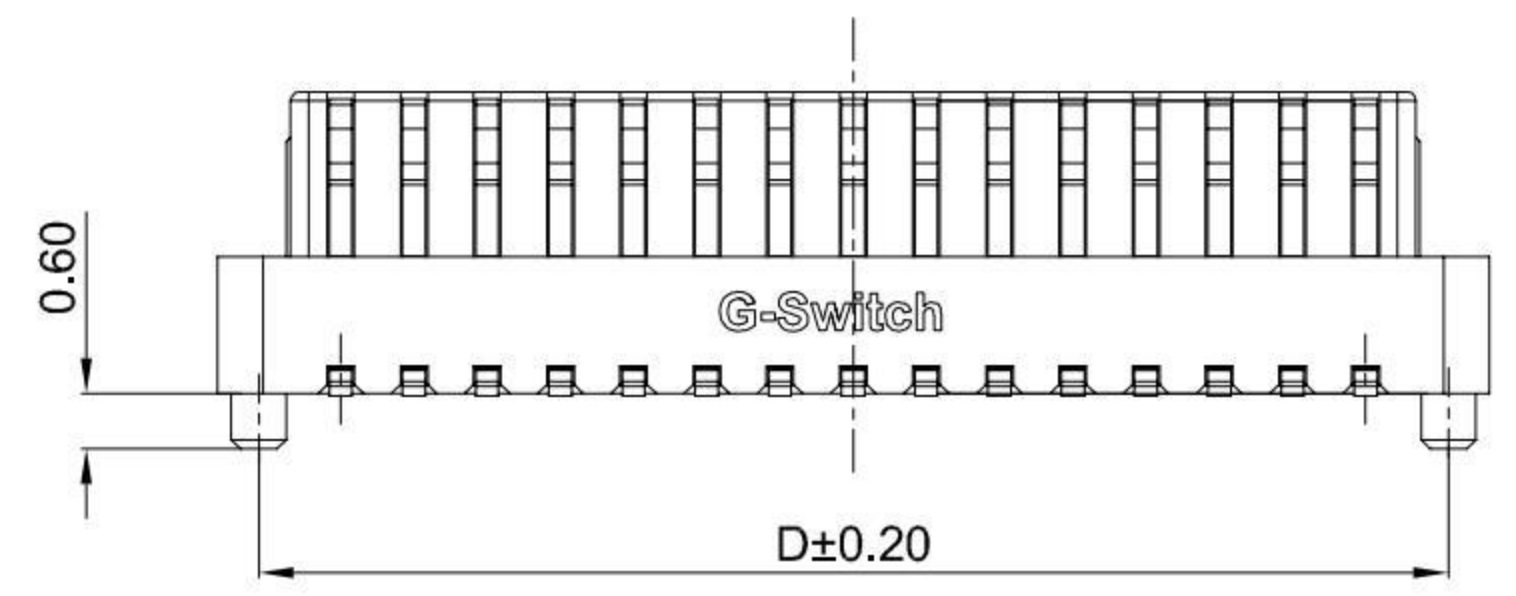
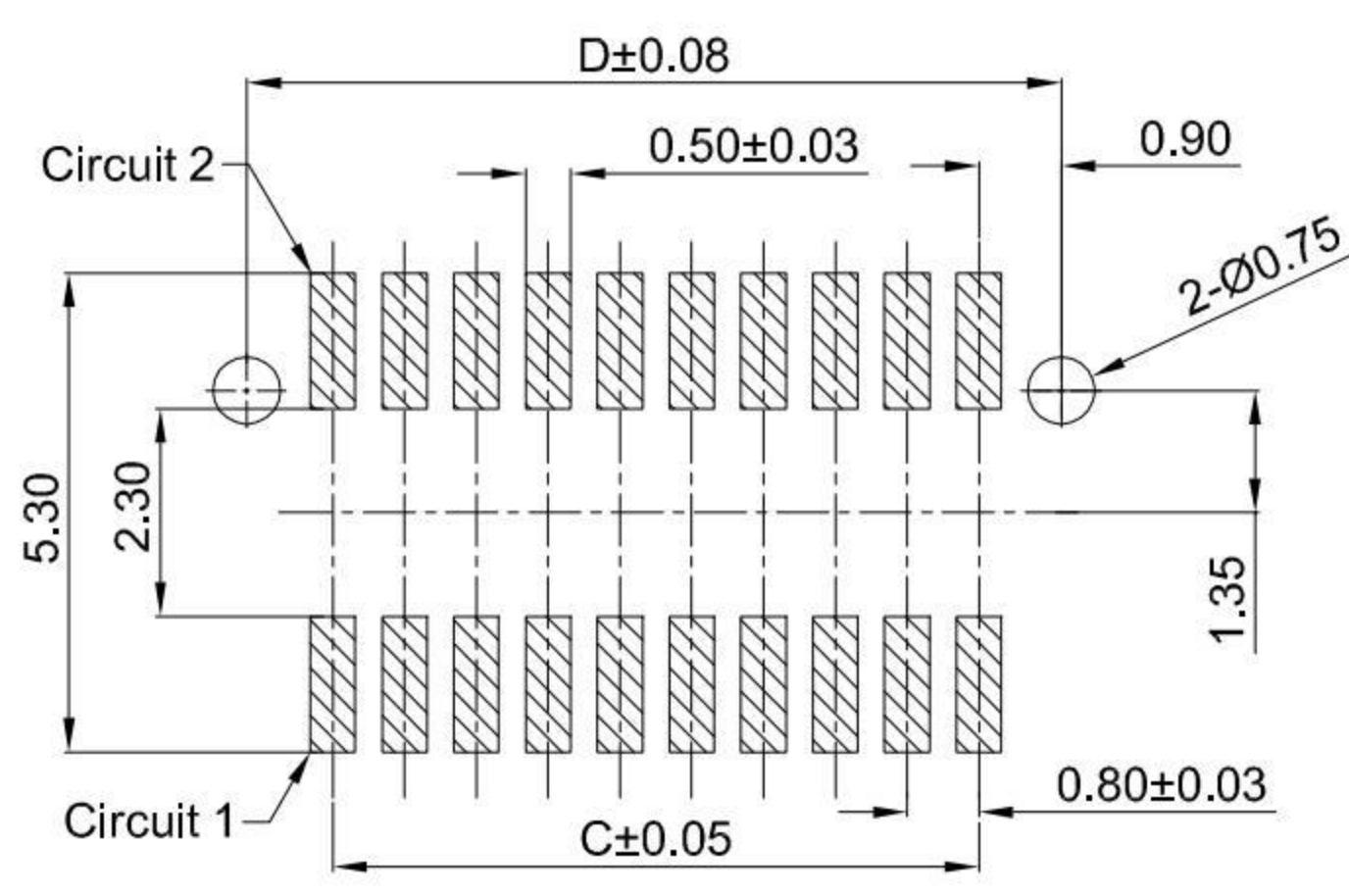
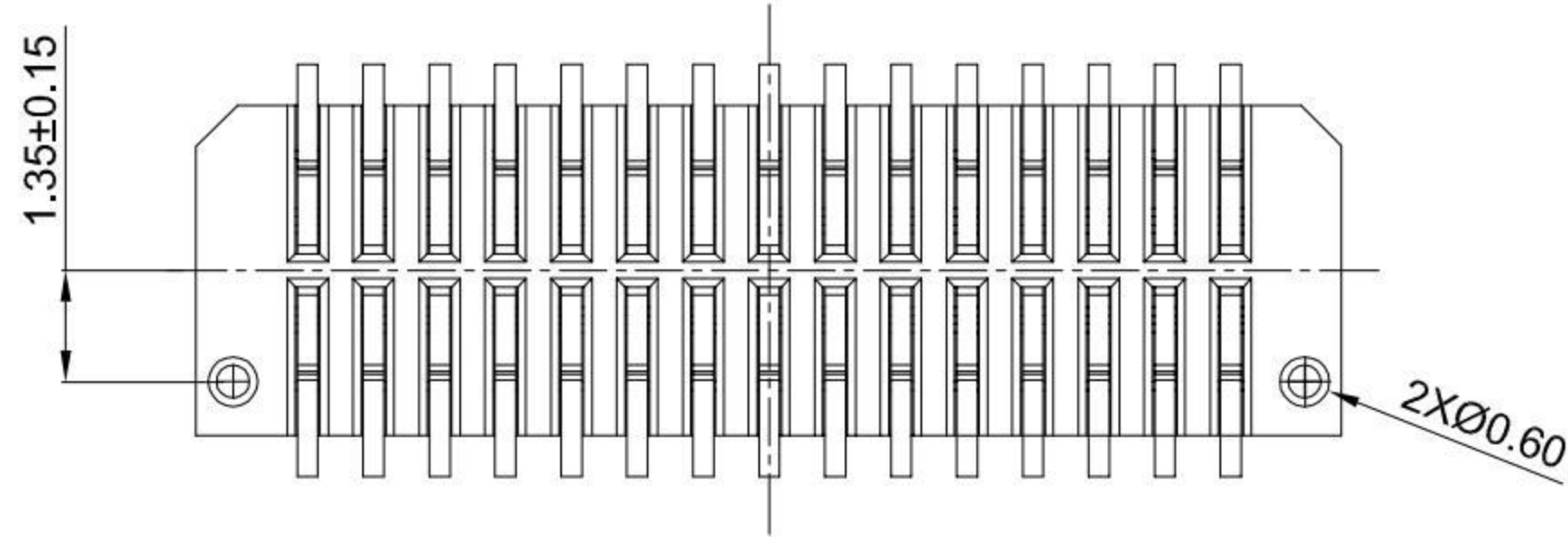


GT-B0804 M S V 33 -XX X XX 01

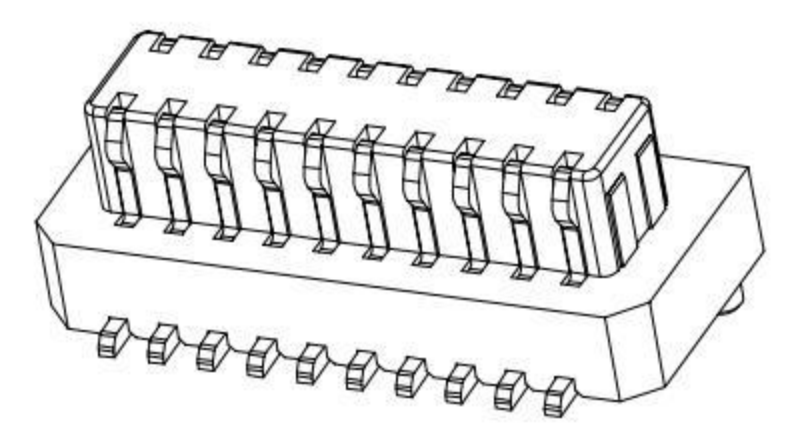
- G-Switch**
- Series No**
- M-Male**
- Termipoint**
S-SMT
- Angle**
V-180°
- Terminal Plating**
11-ALL G/F
- Housing Colour**
S-Nature
B-Black
- Pin Q' PY**
10~50
- Height**
33-3.30mm



- G-Switch Specification:**
- 1.Current rated: 0.5A AC/DC
 - 2.Voltage rating: 60V AC/DC
 - 3.Withstanding voltage: 500V AC
 - 4.Contact resistance: 60mΩ Max.
 - 5.Insulation resistance: 800MΩ min
 - 6.Durability cycle: 30 Cycles
 - 7.Removal force: 0.03kgf/Pin min
 - 8.Operating temperature range: -40°C ~ +105°C



RECOMMEND PCB LAYOUT
TOLERANCE:±0.05



Ordering Information:

Circuit	Dimensions(mm)				Mating height	Plug (H.mm)	Plug (H1.mm)	Socket (H.mm)
	A	B	C	D				
8	5.10	3.60	2.40	4.20				
10	5.90	4.40	3.20	5.00				
12	6.70	5.20	4.00	5.80				
14	7.50	6.00	4.80	6.60	4.0	2.8	1.8	2.9
16	8.30	6.80	5.60	7.40	4.5	3.3	1.8	2.9
18	9.10	7.60	6.40	8.20	5.0	3.8	1.8	2.9
20	9.90	8.40	7.20	9.00	5.5	4.3	2.3	3.4
30	13.90	12.40	11.20	13.00	6.0	4.8	2.3	3.4
40	17.90	16.40	15.20	17.00	6.5	5.3	2.3	3.4
50	21.90	20.40	19.20	21.00	7.0	5.3	2.3	3.9

NO.	PART NAME	MATERIAL	REMARK
2	CONTACT	PHOSPHOR BRONZE	ALL G/F
1	HOUSING	PA9T,94V-0	NATURE/BLACK

SCALE: 1:1 UNIT: mm
 SIZE: A4

Unless otherwise General Tolerance:
 X ±0.40
 X.x ±0.30
 X.xx ±0.20
 X* ±5°
 X.x° ±3°

Title: BTB 0.80mm Pitch 180° Dual Rows SMT Type Mate Connector

Molde Code: GT-B0804MSV33-XXXXX01

DRAWN	CHECKED	APPROVED	DATE
Hu	Chen	Chen	2022.12.28



REV: A0 SHEET: 1/1