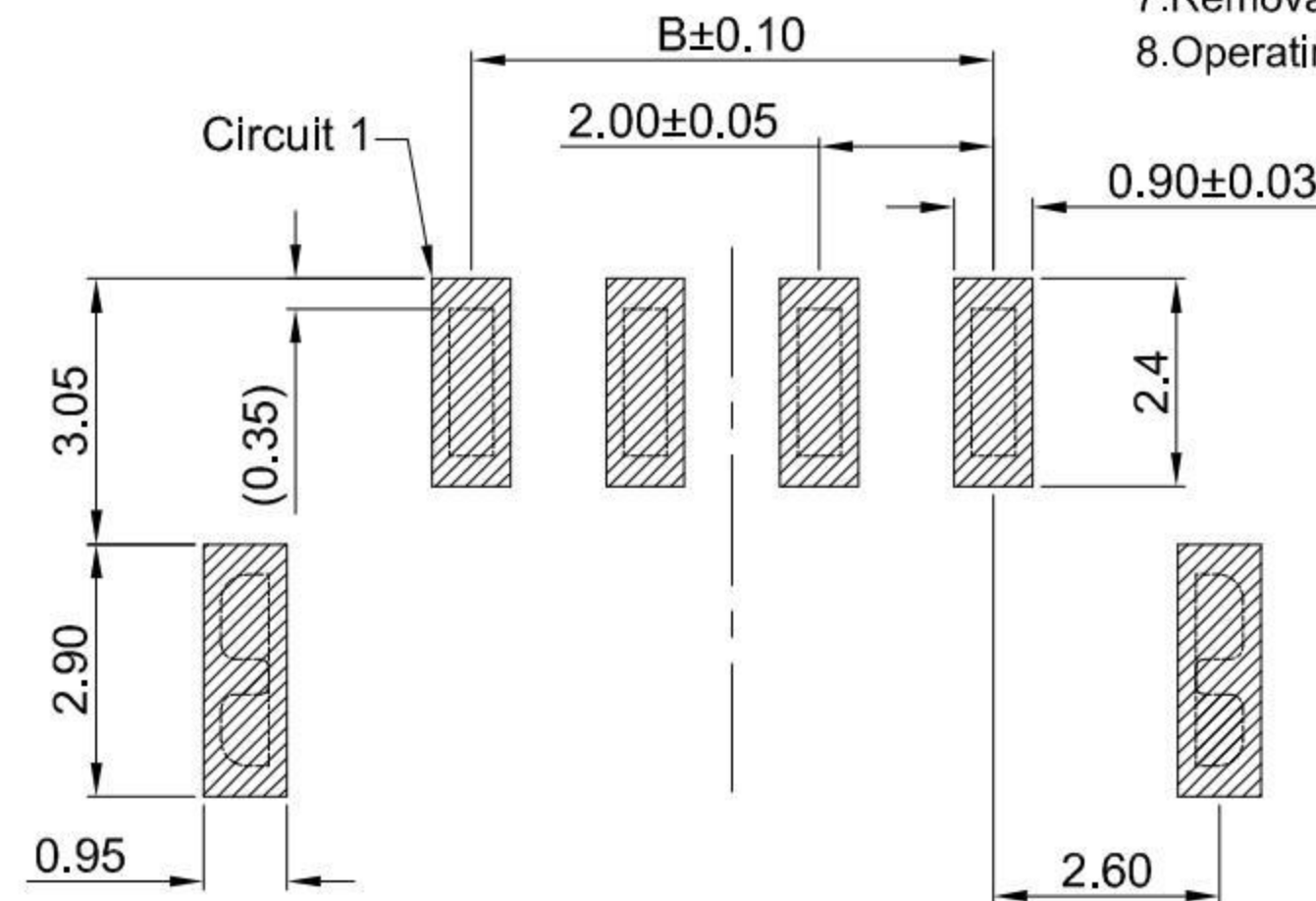
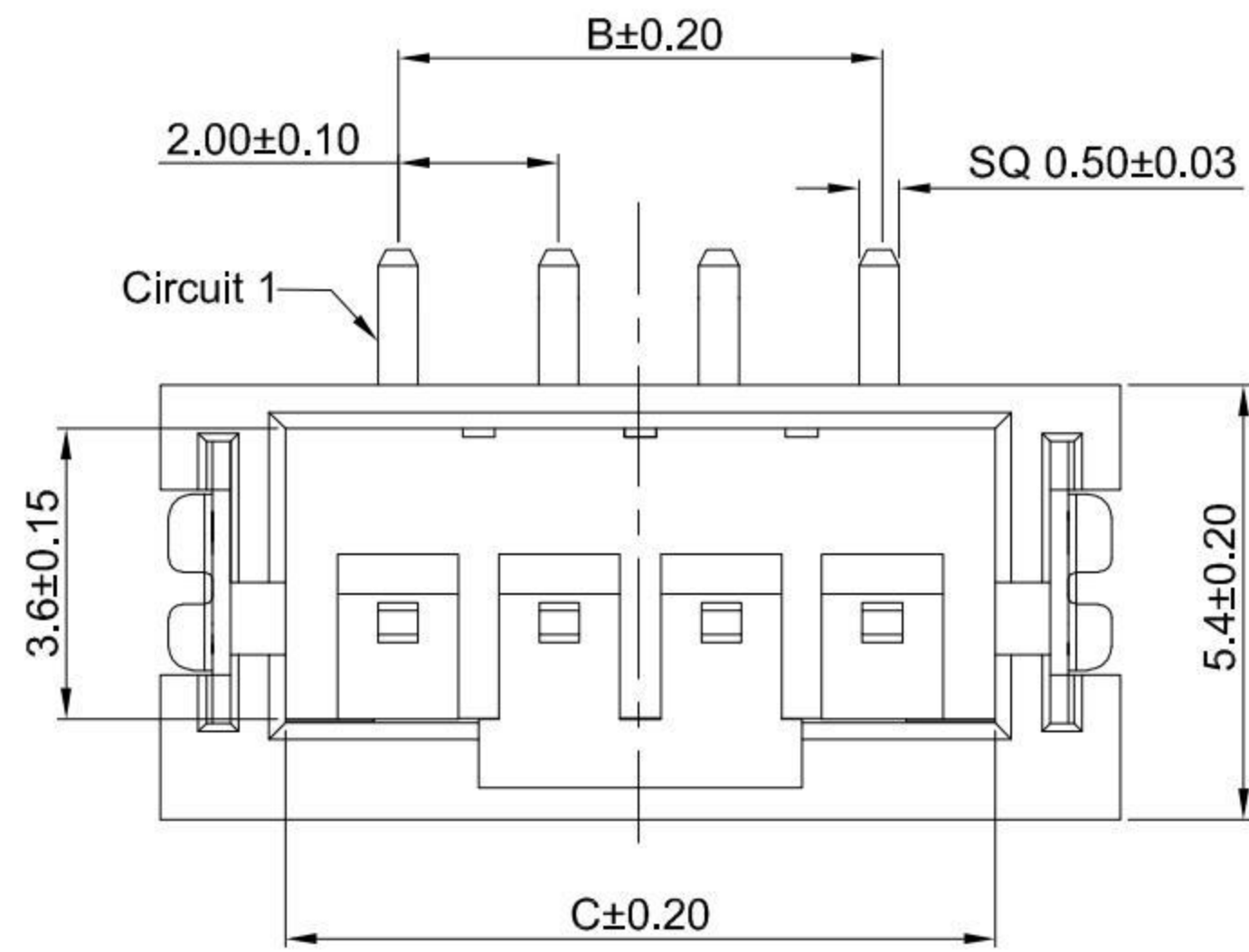
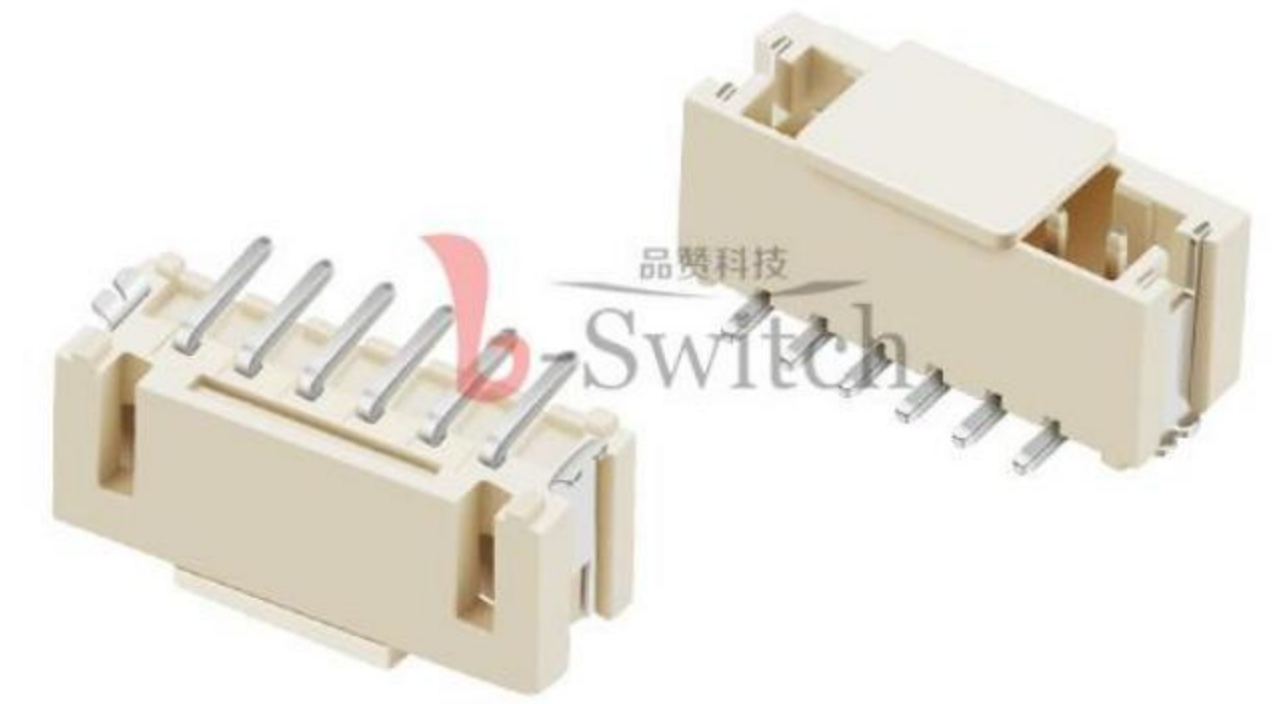


G-Switch Specification:

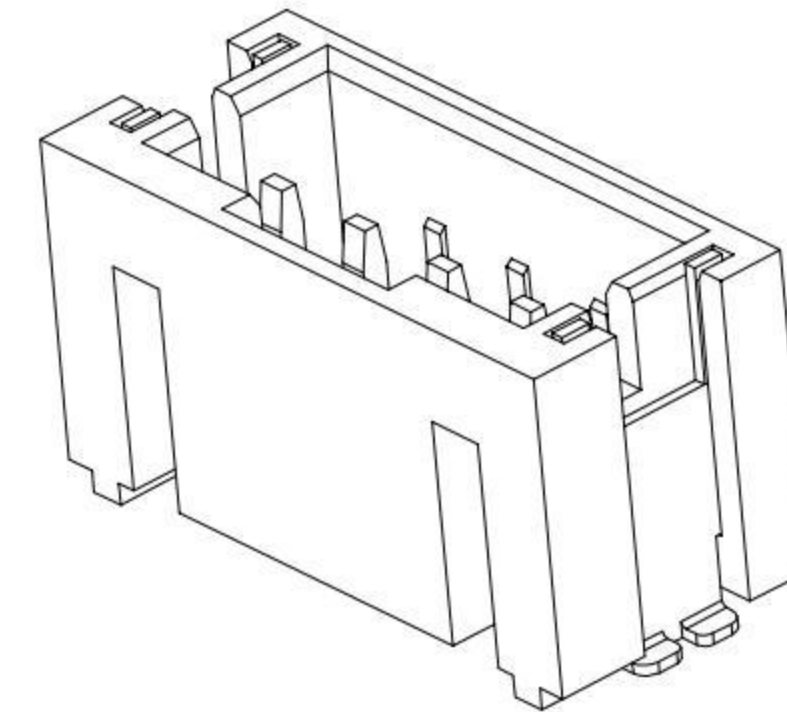
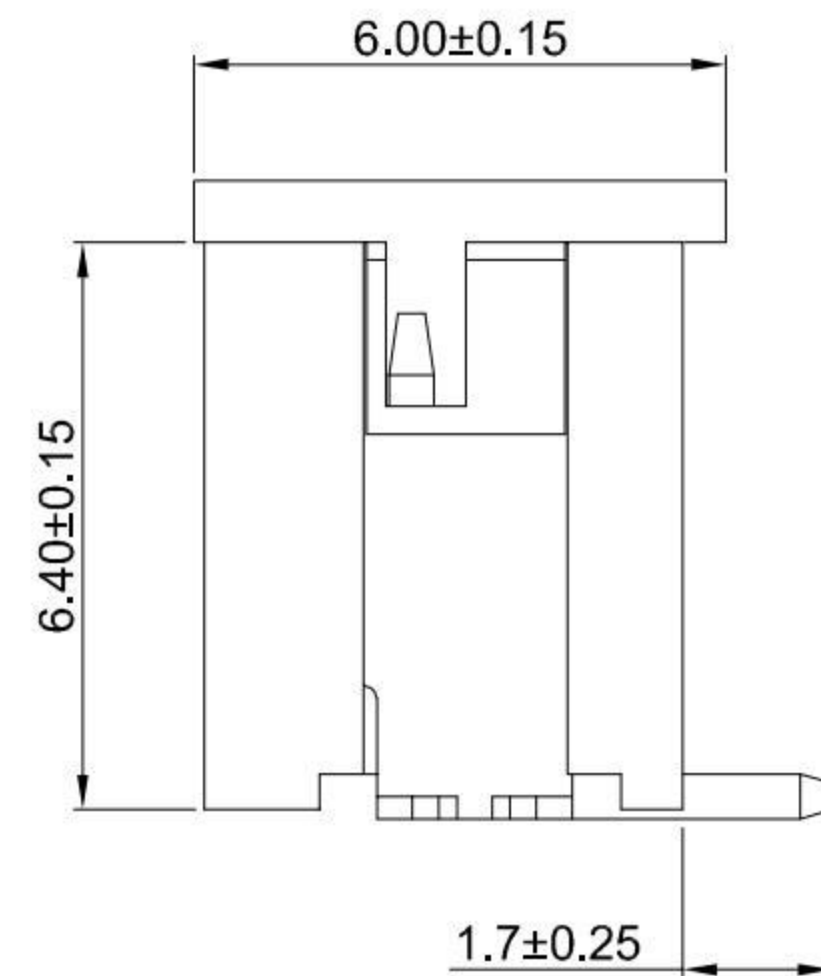
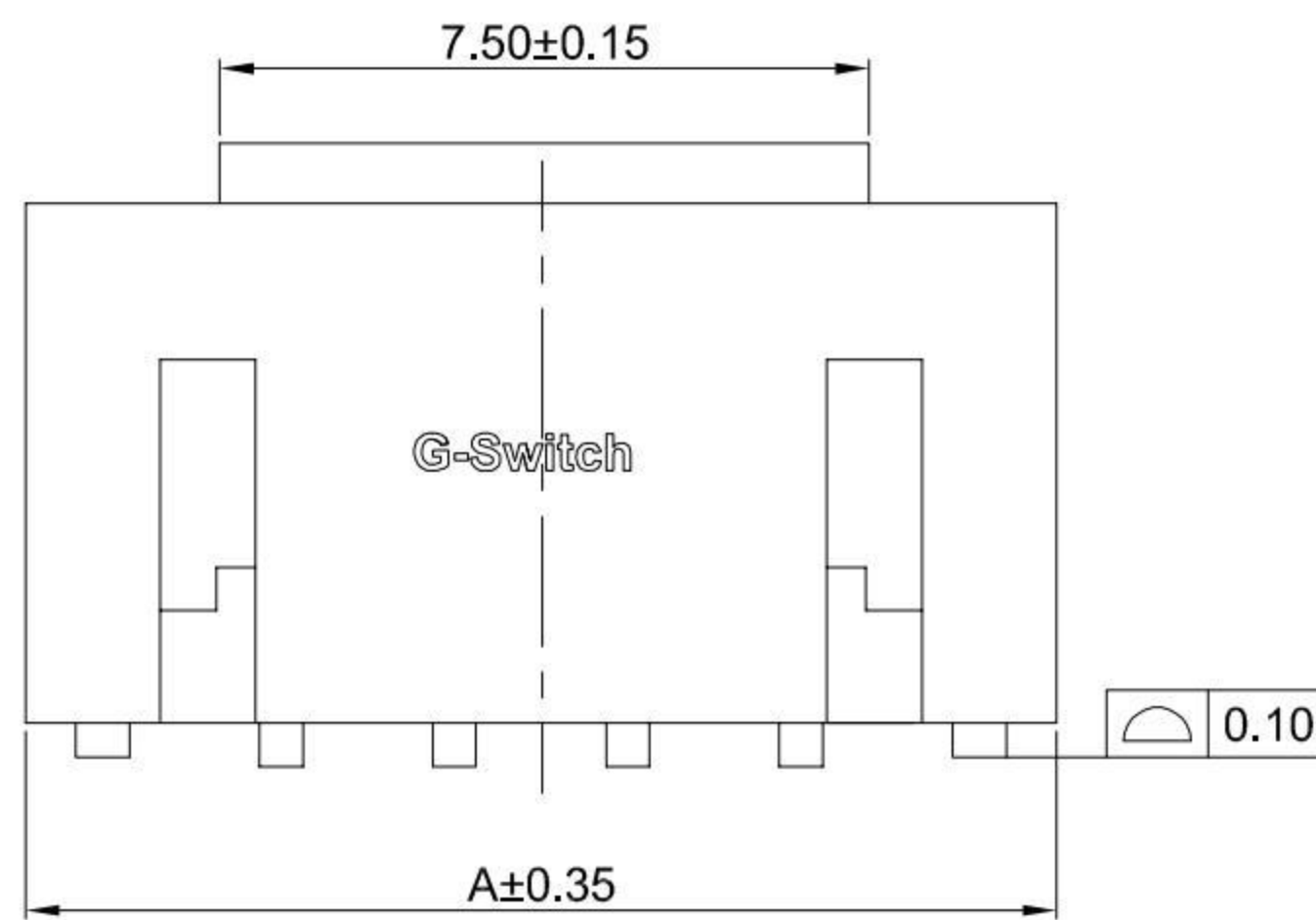
1. Current rated: 2.0A AC/DC
2. Voltage rating: 100V AC/DC
3. Withstanding voltage: 800V AC
4. Contact resistance: 10mΩ max.
5. Insulation resistance: 1000MΩ min
6. Durability cycle: 30Cycles
7. Removal force: 1.20kgf/Pin min
8. Operating temperature range: -25°C ~ +85°C



RECOMMENDED PCB LAYOUT
TOLERANCE:±0.05

GT-A2001 W V S -1 XX X XX 01

G-Switch
Series No
Connector W-Wafer
Angle V-180°
Termipoint S-SMT
Terminal Plating BT-Bright Tin
Housing Colour S-Nature
Pin Q' PY 02~16
Row NO 1-Single Row



Ordering Information:

Circuit	Dimensions(mm)			Circuit	Dimensions(mm)		
	A	B	C		A	B	C
02	7.90	--	4.80	12	27.90	22.00	24.80
03	9.90	4.00	6.80	13	29.90	24.00	26.80
04	11.90	6.00	8.80	14	31.90	26.00	28.80
05	13.90	8.00	10.80	15	33.90	28.00	30.80
06	15.90	10.00	12.80	16	35.90	30.00	32.80
07	17.90	12.00	14.80	17	37.90	32.00	34.80
08	19.90	14.00	16.80	18	39.90	34.00	36.80
09	21.90	16.00	18.80	19	41.90	36.00	38.80
10	23.90	18.00	20.80	20	43.90	38.00	40.80
11	25.90	20.00	22.80	--	--	--	--

3	SOLDER TABS	BRASS	BRIGHT Tin
2	PIN MATERIAL	BRASS	BRIGHT Tin
1	HOUSING	LCP,94V-0	NATURE
NO.	PART NAME	MATERIAL	REMARK



SCALE: 1:1 UNIT: mm
 SIZE: A4

Unless otherwise
 General Tolerance:
 X ±0.40
 X.x ±0.30
 X.xx ±0.20
 X° ±5°
 X.x° ±3°

Title: Wafer 2.00mm Pitch 180° PH
 SMT Type Connector

Molde Code: GT-A2001WVS-1XXXXX01

DRAWN	CHECKED	APPROVED	DATE
Hu	Hu	Chen	2021.10.18



REV: A0 SHEET: 1/1