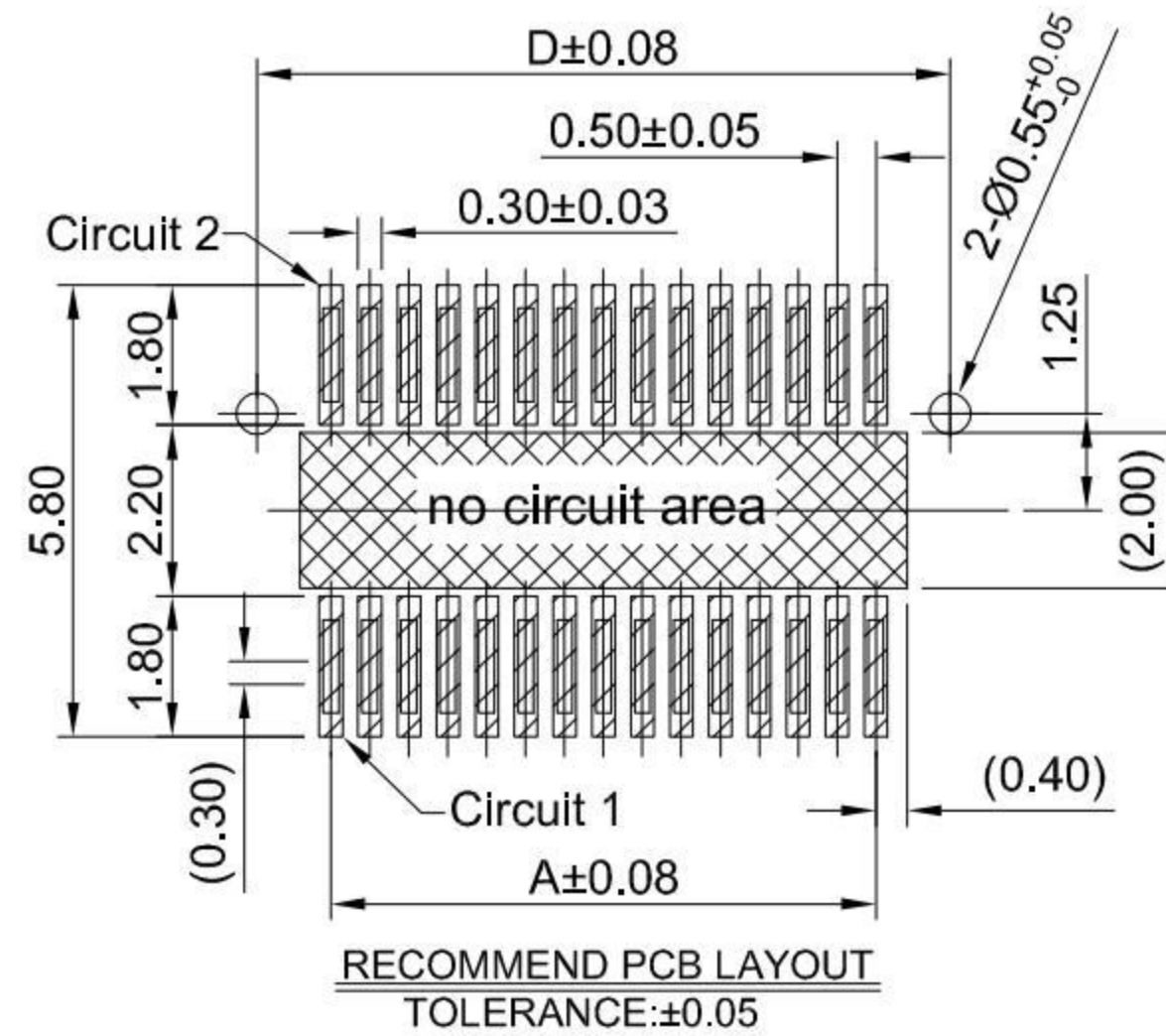
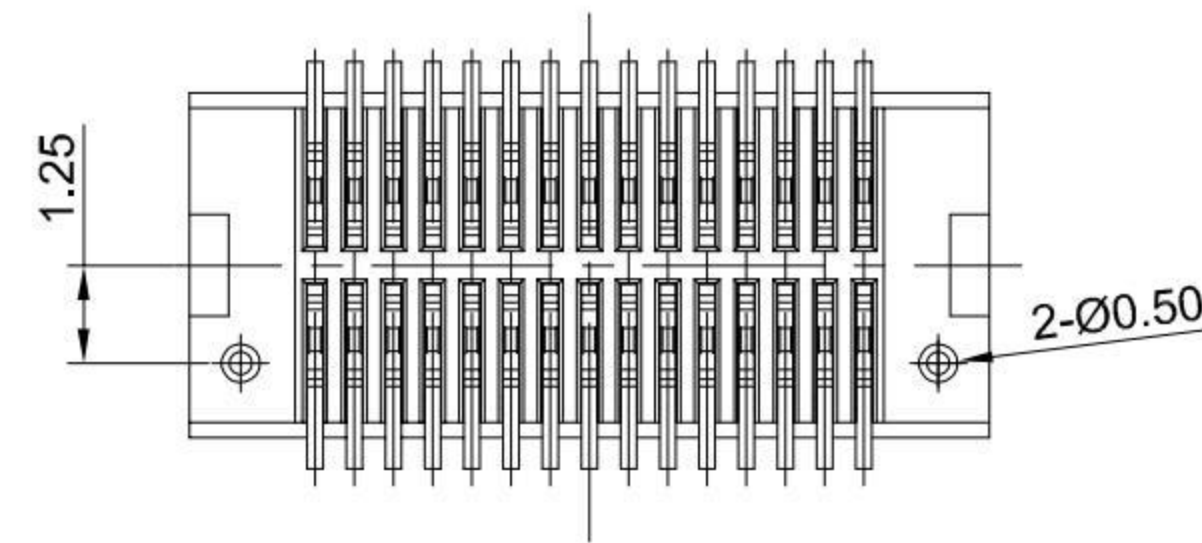
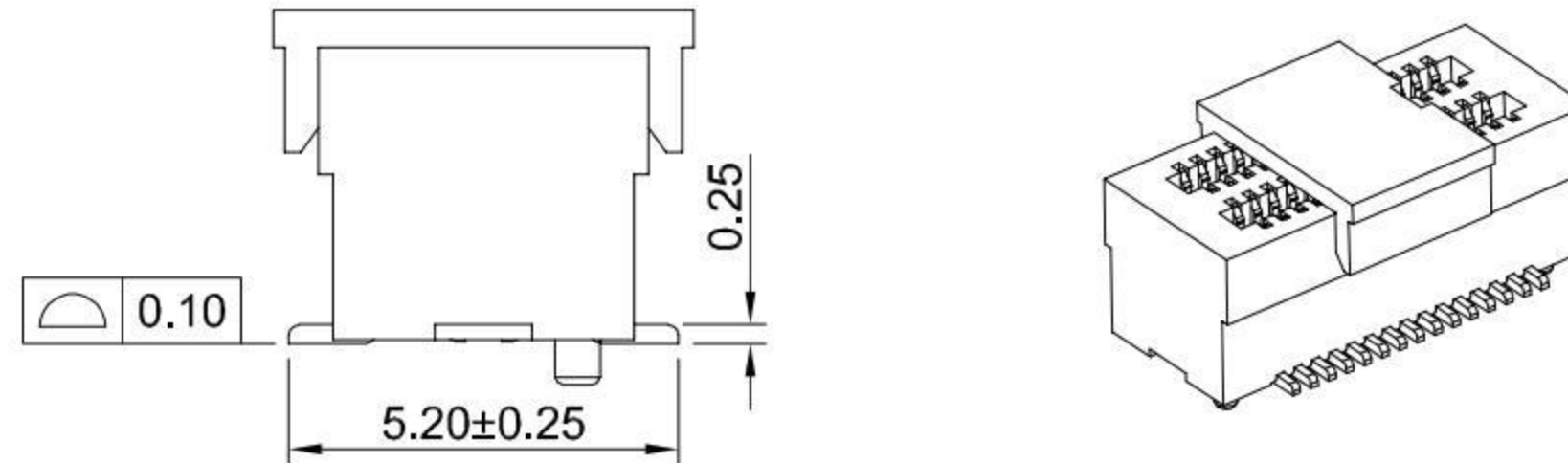
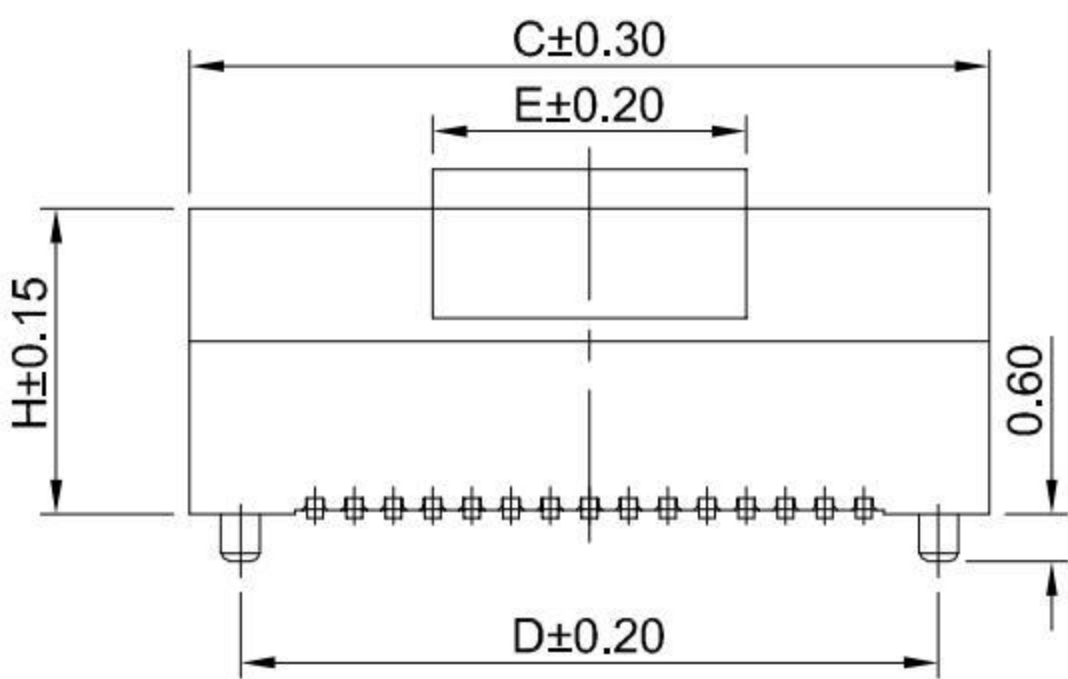


MATING HEIGHT	PLUG (H.mm)	SOCKET (H.mm)
3.0	0.8	2.2
3.5	1.3	2.2
4.0	1.0	3.0
4.5	1.0	3.5
5.0	1.0	4.0
5.5	1.0	4.5
6.0	2.0	4.0
6.5	2.0	4.5
7.0	4.0	3.0
7.5	4.0	3.5
8.0	4.0	4.0
8.5	4.0	4.5



GT-B0501 F S V XX -XX X XX 01

- G-Switch**
- Series No**
- F-Female**
- Termipoint**
S-SMT
- Angle**
V-180°
- Terminal Plating**
11-All G/F
- Housing Colour**
B-Black
- Pin Q' PY**
08~100
- Height**
22-2.20mm
30-3.00mm
35-3.50mm
40-4.00mm
45-4.50mm

G-Switch Specification:

- Current rated: 0.5A AC/DC
- Voltage rating: 50V AC/DC
- Withstanding voltage: 500V AC
- Contact resistance: 40mΩ Max.
- Insulation resistance: 800MΩ min
- Durability cycle: 30 Cycles
- Removal force: 0.03kgf/Pin min
- Operating temperature range: -45°C ~ +105°C

Ordering Information:

Circuit	Dimensions(mm)					Circuit	Dimensions(mm)				
	A	B	C	D	E		A	B	C	D	E
08	1.50	2.55	4.70	3.40	4.00	40	9.50	10.55	12.70	11.40	8.00
10	2.00	3.05	5.20	3.90		42	10.00	11.05	13.20	11.90	
12	2.50	3.55	5.70	4.40		44	10.50	11.55	13.70	12.40	
14	3.00	4.05	6.20	4.90		46	11.00	12.05	14.20	12.90	
16	3.50	4.55	6.70	5.40		50	12.00	13.05	15.20	13.90	
18	4.00	5.05	7.20	5.90		52	12.50	13.55	15.70	14.40	
20	4.50	5.55	7.70	6.40		54	13.00	14.05	16.20	14.90	
22	5.00	6.05	8.20	6.90		56	13.50	14.55	16.70	15.40	
24	5.50	6.55	8.70	7.40		60	14.50	15.55	17.70	16.40	
26	6.00	7.05	9.20	7.90		66	16.00	17.05	19.20	17.90	
28	6.50	7.55	9.70	8.40		70	17.00	18.05	20.20	18.90	
30	7.00	8.05	10.20	8.90		80	19.50	20.55	22.70	21.40	
32	7.50	8.55	10.70	9.40		90	22.00	23.05	25.20	23.90	
34	8.00	9.05	11.20	9.90		100	24.50	25.55	27.70	26.40	
36	8.50	9.55	11.70	10.40		---	---	---	---	---	

NO.	PART NAME	MATERIAL	REMARK
3	CONTACT	PHOSPHOR BRONZE	ALL G/F
2	COVER	PA9T,94V-0	BLACK
1	HOUSING	PA9T,94V-0	BLACK

SCALE: 1:1	UNIT: mm	Title: BTB 0.50mm Pitch 180° Dual Rows SMT Type Femate Connector	
SIZE: A4		Molde Code: GT-B0501FSVXX-XXXXX01	
Unless otherwise General Tolerance:		DRAWN	CHECKED
X	±0.40	Hu	Chen
X.x	±0.30	APPROVED	DATE
X.xx	±0.20	Chen	2022.12.28
X*	±5°	REV: A0	SHEET: 1/1
X.x°	±3°		

