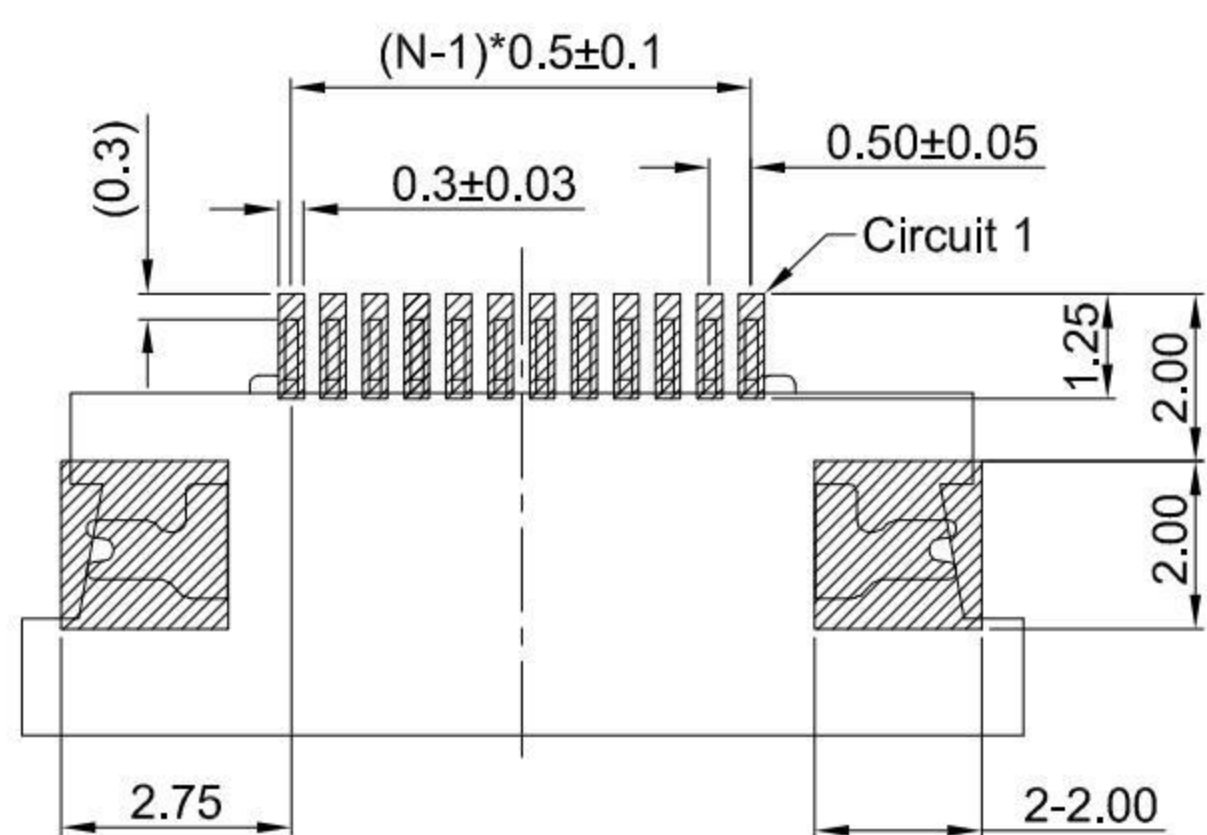
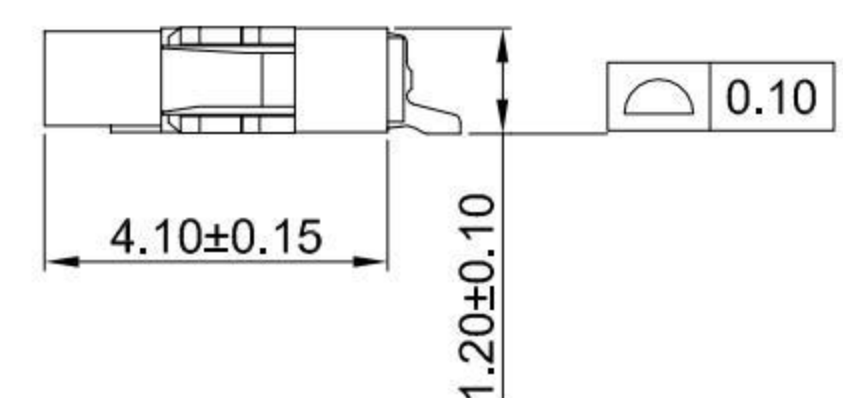
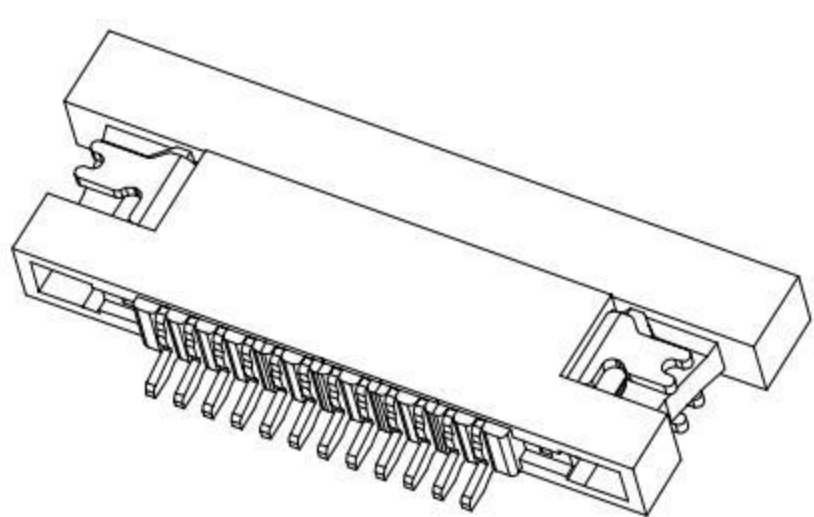


APPLICABLE FPC



RECOMMENDED PCB LAYOUT
TOLERANCE:±0.05



GT-F0505 S R 12 -XX X XX 02

- G-Switch**
- Series No**
- Termipoint**
S-SMT
- Angle**
R-90°
- Height**
12-1.20mm
- Contact**
01-Upper Contact
02-Bottom Contact
- Terminal Plating**
MT-Matte Tin
11-All G/F
- Housing Colour**
S-Nature
- Pin Q' PY**
04-60

- G-Switch Specification:**
- 1.Current rated: 0.5A AC/DC
 - 2.Voltage rating: 50V AC/DC
 - 3.Withstanding voltage:500V AC
 - 4.Contact resistance: 30mΩ max.
 - 5.Insulation resistance: 500MΩ min
 - 6.Durability cycle: 30Cycles
 - 7.Removal force: 0.03kgf/Pin min
 - 8.Operating temperature range: -25°C ~ +85°C

4	SOLDER TABS	BRASS	MATTE Tin
3	CONTACT	BRASS	MATTE Tin OR All G/F
2	COVER	LCP,94V-0	BLACK
1	HOUSING	LCP,94V-0	NATURE
NO.	PART NAME	MATERIAL	REMARK



SCALE: 1:1	UNIT: mm
SIZE: A4	
Unless otherwise General Tolerance:	
X	±0.40
X.x	±0.30
X.xx	±0.20
X*	±5°
X.x°	±3°

Title: FPC 0.50mm Pitch 90° H1.20mm SMT Type Bottom Contact Connector			
Molde Code: GT-F0505SR12-XXXXX02			
DRAWN	CHECKED	APPROVED	DATE
Jiang	Hu	Chen	2021.06.28



REV: A0 SHEET: 1/2

A

B

C

D

E

1

1

Ordering Information:

Circuit	Dimensions(mm)				Circuit	Dimensions(mm)			
	A	B	C	D		A	B	C	D
04	8.00	6.80	1.50	2.58	31	21.50	20.30	15.00	16.08
05	8.50	7.30	2.00	3.08	32	22.00	20.80	15.50	16.58
06	9.00	7.80	2.50	3.58	33	22.50	21.30	16.00	17.08
07	9.50	8.30	3.00	4.08	34	23.00	21.80	16.50	17.58
08	10.00	8.80	3.50	4.58	35	23.50	22.30	17.00	18.08
09	10.50	9.30	4.00	5.08	36	24.00	22.80	17.50	18.58
10	11.00	9.80	4.50	5.58	37	24.50	23.30	18.00	19.08
11	11.50	10.30	5.00	6.08	38	25.00	23.80	18.50	19.58
12	12.00	10.80	5.50	6.58	39	25.50	24.30	19.00	20.08
13	12.50	11.30	6.00	7.08	40	26.00	24.80	19.50	20.58
14	13.00	11.80	6.50	7.58	41	26.50	25.30	20.00	21.08
15	13.50	12.30	7.00	8.08	42	27.00	25.80	20.50	21.58
16	14.00	12.80	7.50	8.58	43	27.50	26.30	21.00	22.08
17	14.50	13.30	8.00	9.08	44	28.00	26.80	21.50	22.58
18	15.00	13.80	8.50	9.58	45	28.50	27.30	22.00	23.08
19	15.50	14.30	9.00	10.08	50	31.00	29.80	24.50	25.58
20	16.00	14.80	9.50	10.58	51	31.50	30.30	25.00	26.08
21	16.50	15.30	10.00	11.08	52	32.00	30.80	25.50	26.58
22	17.00	15.80	10.50	11.58	53	32.50	31.30	26.00	27.08
23	17.50	16.30	11.00	12.08	54	33.00	31.80	26.50	27.58
24	18.00	16.80	11.50	12.58	55	33.50	32.30	27.00	28.08
25	18.50	17.30	12.00	13.08	56	34.00	32.80	27.50	28.58
26	19.00	17.80	12.50	13.58	57	34.50	33.30	28.00	29.08
27	19.50	18.30	13.00	14.08	58	35.00	33.80	28.50	29.58
28	20.00	18.80	13.50	14.58	59	35.50	34.30	29.00	30.08
29	20.50	19.30	14.00	15.08	60	36.00	34.80	29.50	30.58
30	21.00	19.80	14.50	15.58	---	---	---	---	---



GT-F0505 S R 12 -XX X XX 0X

G-Switch

Series No

Termipoint
S-SMT

Angle
R-90°

Height
12-1.20mm

Contact

01-Upper Contact
02-Bottom Contact

Terminal Plating
MT-Matte Tin
11-All G/F

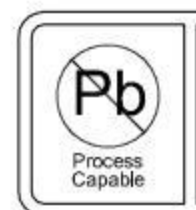
Housing Colour
S-Nature

Pin Q' PY
04~60

G-Switch Specification:

- 1.Current rated: 0.5A AC/DC
- 2.Voltage rating: 50V AC/DC
- 3.Withstanding voltage:500V AC
- 4.Contact resistance: 30mΩ max.
- 5.Insulation resistance: 500MΩ min
- 6.Durability cycle: 30Cycles
- 7.Removal force: 0.03kgf/Pin min
- 8.Operating temperature range: -25°C ~ +85°C

4	SOLDER TABS	BRASS	MATTE Tin
3	CONTACT	BRASS	MATTE Tin OR All G/F
2	COVER	LCP,94V-0	BLACK
1	HOUSING	LCP,94V-0	NATURE
NO.	PART NAME	MATERIAL	REMARK



SCALE: 1:1 UNIT: mm

SIZE: A4

Unless otherwise
General Tolerance:

X ±0.40
X.x ±0.30
X.xx ±0.20
X° ±5°
X.x° ±3°

Title: FPC 0.50mm Pitch 90° H1.20mm
SMT Type Upper Contact Connector

Molde Code: GT-F0505SR12-XXXXX0X

DRAWN	CHECKED	APPROVED	DATE
Jiang	Hu	Chen	2021.06.28



REV: A0 SHEET: 2/2

A

B

C

D

E

5

5